

Flush Fit Inset - Stainless steel

1.0 Bowl & drainer



Fitting type: Inset or Flush fit

Sink handing: Reversible

Finish style: Brushed steel

- **Min. base unit (bowl, tap & overflow only): 450mm**
- **Overall product size:** 860 x 500 x 183mm
- **Packaged size L x W x D:** 915 x 560 x 210mm
- **Supplied boxed or sleeved:** Boxed
- **Boxed weight:** 4.06 kg
- **Sink only weight:** 6.48 kg

- Durable 18/10 stainless steel construction throughout
- Reversible drainer position for maximum flexibility
- Practical basket waste supplied
- Easy clean bowl curves
- Can be fitted as inset or flushmount

Included parts:



1 X AX1063
90mm (1.5") 1 x bsw and slotted
overflow



1 X AX1014
35mm tap hole cover plate



1 X AX1056
inset & flushmount stainless steel
fixing clips x 14



1 X INST
Fitting & care instructions



1 x INFO
Customer Specification Sheet

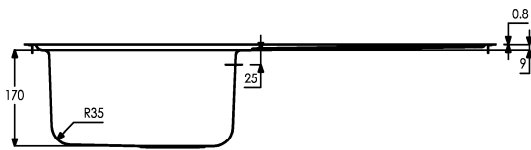
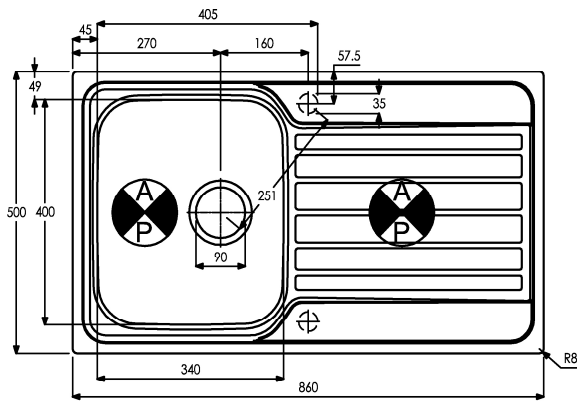
Materials and workmanship warranty summary:

- Sink materials & workmanship 10 year.
- Waste kits 1 year.

Care instructions:

- Clean the products regularly using soapy water and a non abrasive cloth, regular cleaning will prevent the build up of lime scale and dirt.
- Avoid contact with corrosive or abrasive substances.
- After cleaning rinse thoroughly with clean water then dry.

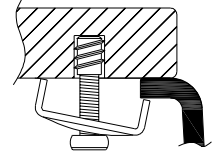
Product dimensions and installation information: note:  symbol indicates position of acoustic pad.



***Important, fabricator / installer notes:**

For undermount sinks:

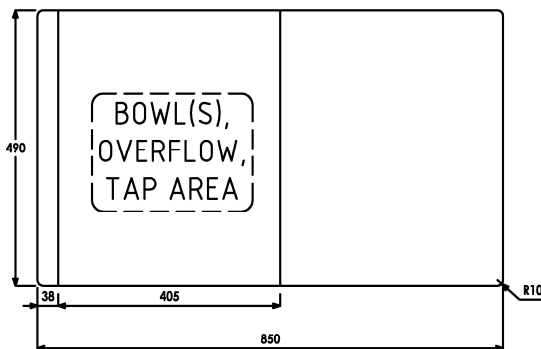
The cut out size indicated is aligned with outside edge of the bowl top radius (see below).



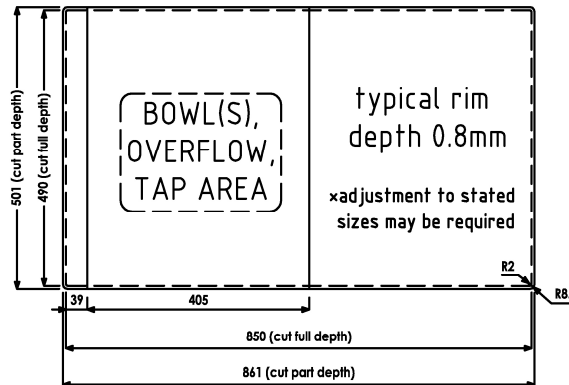
You should confirm with your client if the worksurface cutout is to be cut flush, inside or outside this suggested perimeter shape & size. If you create the cutout smaller or larger than the indicated size then the fit of the accessories may be affected and should be physically checked.

General:
All details are provided in good faith but do not include the tolerances of the material or manufacturing process. We request that a test cutout is made in scrap timber and checked against the actual sink to be installed before committing to cutting the final worksurface. Abode can not accept liability for problems or costs incurred by failure to follow this request. Note: the dimensions on ceramic fireclay products are subject to wider tolerances due to the nature of this natural material and the firing process. CAD cutout files are available on request

INSET CUT OUT



FLUSH MOUNT CUT OUT



Overall product size: 860 x 500 x 183 corner radius 8mm

Tap hole(s) detail: 2 x Ø 35mm, precut

Wastehole(s) detail (mm): 90 / N/A / N/A (nb. 90mm wastes accept a waste disposal unit)

Min. base unit (refers to space required for bowl, tap and overflow only): fits 450mm carcass

Min. Recessed fitting width: required (bowl(s), tap and overflow: 405mm)

***Worktop cut out size:** 850x490 corner radius 10mm (see drawing and installation notes)

Min. & Max worktop depth or clip depth reach range: 23 - 43mm

Fitting template supplied? No, use cut out instructions as supplied

Dishwasher under drainer? Distance from top of worktop to underside of the drainer 9mm

Other:

Bowl details: (sizes in mm unless specified otherwise)

Bowl 1 (typically main bowl):

Bowl 1 size L x W x D (mm): 340 x 400 x 170
Bowl 1 construction: Pressed, 0.80mm
Bowl 1 floor radius (mm): 35
Bowl 1 Wastehole diameter (mm): 90
Bowl 1 overflow: Slotted, std equal pattern
Bowl 1 texture: Brushed stainless
Bowl 1 apx. volume (litres): 16.60

Bowl 2 (typically 1/2 or 3/4 bowl):

Bowl 2 size L x W x D (mm): N/A x N/A x N/A
Bowl 2 construction: N/A, N/Amm
Bowl 2 floor radius (mm): N/A
Bowl 2 Wastehole diameter (mm): N/A
Bowl 2 overflow: N/A
Bowl 2 texture: N/A
Bowl 2 apx. volume (litres): N/A

Bowl 3:

Bowl 3 size L x W x D (mm): N/A x N/A x N/A
Bowl 3 construction: N/A, N/Amm
Bowl 3 floor radius (mm): N/A
Bowl 3 Wastehole diameter (mm): N/A
Bowl 3 overflow: N/A
Bowl 3 texture: N/A
Bowl 3 apx. volume (litres): N/A

Important: Please retain this sheet for future use